

PATHFINDER®

SIMPLY FOCUSED

Reduce Steps and Maximize Safety



FEDERAL SIGNAL VAMA

Protecting people and our planet

PATHFINDER®

Siren and Light Controller



Pathfinder® PF200 is a compact, programmable siren and light controller available with a Hand-Held Controller. Pathfinder PF200 is easy to install and incorporates Convergence Network Configuration Software to provide a high-level of customizable control capability. Convergence Network Configuration Software is available as a download from the Federal Signal website making it easy to program one vehicle –or an entire fleet –from your laptop.

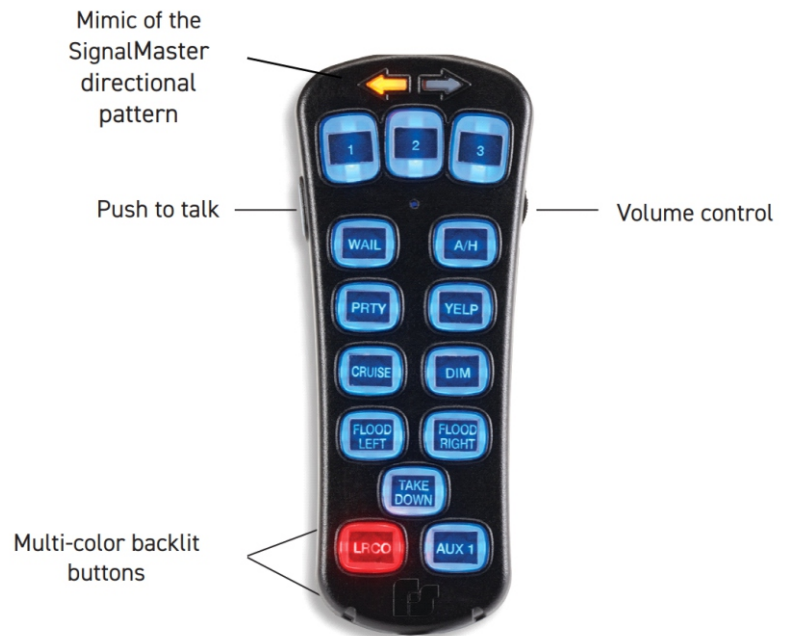
The Hand-Held Controller feature programmable buttons that can be programmed for press-on, press-off, momentary, and multiple different blinking styles. The button color can be programmed through the Convergence Network Configuration Software and button brightness can be dimmed or turned-off for stealth operation . Over (100) labeling stickers, such as alley, gun lock, and wail allow for further customization of the control head.

FEATURES

- 100/200 W siren and light controller with PA and noise-canceling microphone.
- Integrated dual-tone capability when used with (2) speakers.
- Integrated Rumbler® traffic clearing capability.
- (7) programmable inputs and (12) programmable solid-state relay outputs.
- Convergence Network Configuration Software allows for easy customization of siren and light controls.
- (2) FS Convergence Network ports.

Hand-Held Controller

The hand-held controller features (14) backlit buttons, and the ergonomic design provides convenient volume control and push-to-talk button on the side of the controller. It also has a magnetic mount and includes brackets for fixed or swivel mounting. The microphone is included in the control head, eliminating the need to run a mic cable back to the amplifier. For increased versatility, the amplifier offers a ¼-inch jack microphone plug option. (¼-inch jack microphone and remote extension kit sold separately).



Amplifier Features

Pathfinder PF200 default siren tones include Wail, Yelp, Priority, Manual/Peak-and-Hold, Hi-Lo, Powercall, and Air Horn. Pathfinder also includes (2) serial ports to be used with the FS Convergence Network devices such as light bars or directional warning lights for easy "plug-n-play" installation.

Integrated Rumbler® Capability

The Pathfinder PF200 is available with built-in Rumbler traffic-clearing capability. This allows the Pathfinder PF200 to produce a Rumbler tone without the need for a separate externally mounted amplifier. Rumbler capability requires the purchase of Rumbler speakers and vehicle specific mounting kit. Dual-tone capability cannot be utilized with the Rumbler capability unless a complete RUMBLER-C2 or RUMBLER-SOLO, which includes the additional amplifier, is purchased.

- Pathfinder PF200 + (1) 100 W siren speaker = Single tone and standard PA
- Pathfinder PF200 + (2) 100 W siren speakers = Dual-tone and standard PA
- Pathfinder PF200 + (1) 100 W speaker + (1) or (2) Rumbler speakers = Single tone, Rumbler and enhanced PA
- Pathfinder PF200 + (2) 100 W siren speakers + RUMBLER-C2 or RUMBLER-SOLO kit (includes two speakers) = Rumbler, Dual-tone siren, and standard PA (one channel will Rumble)
- Pathfinder PF200 + (1) or (2) Rumbler speakers + (2) 100 W siren speakers + MS4000 = Dual-tone, Rumbler, and enhanced PA

Programming Software Features

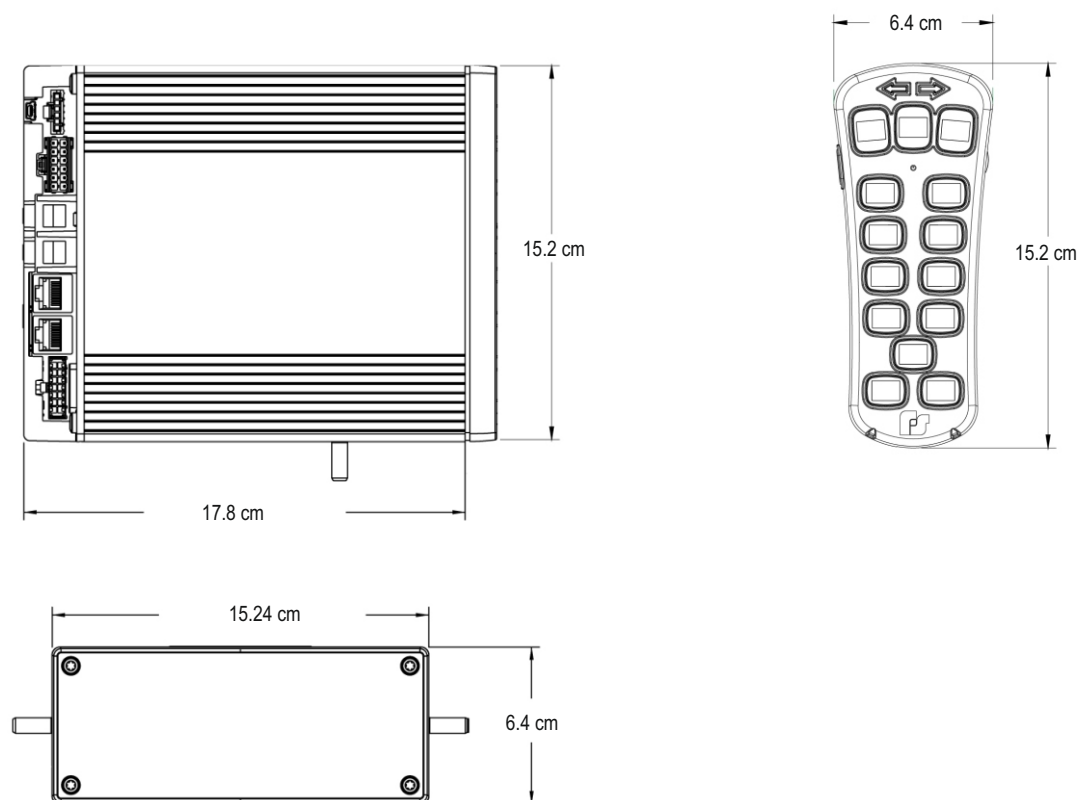
The Convergence Network Configuration Software is available as a download from the FS website and siren configurations can be created via laptop computer. Configured programs can be extracted, modified, and stored for ease of service and re-use. The Federal Signal Convergence Network allows the user to "plug-and-play" simply by connecting the siren to the vehicle's light bar. Pathfinder PF200 gives the user the ability to clone an entire fleet of siren functions. The user simply connects the Pathfinder PF200 to a PC and downloads the functions of the programmed software onto a USB drive to download functions to each siren.



CONVERGENCE NETWORK
CONFIGURATION SOFTWARE

TECHNICAL SPECIFICATIONS

Audio Output Power	200 W
Input Voltage	12V
Nominal Output Voltage	64 V peak-to-peak
Standby Current	< 0.1 A
Input Current Operating	16 A
Operating Temp	-40°C a 80°C
Polarity	Negative ground only
Frequency Range	182 to 1600 Hz
Dimensions (L x W x H)	Amplifier: 17,8 x 15,2 x 6,4 cm Control Head: 15,2 x 6,4 x 3,3 cm
Weight	2,3 kg



HOW TO ORDER

Reference	Description
PF200H-R10	Siren/Light controller with hand-held controller/ microphone, 100/200W, OBDII integration capability, integrated Rumbler capability, and integrated dual-tone capability