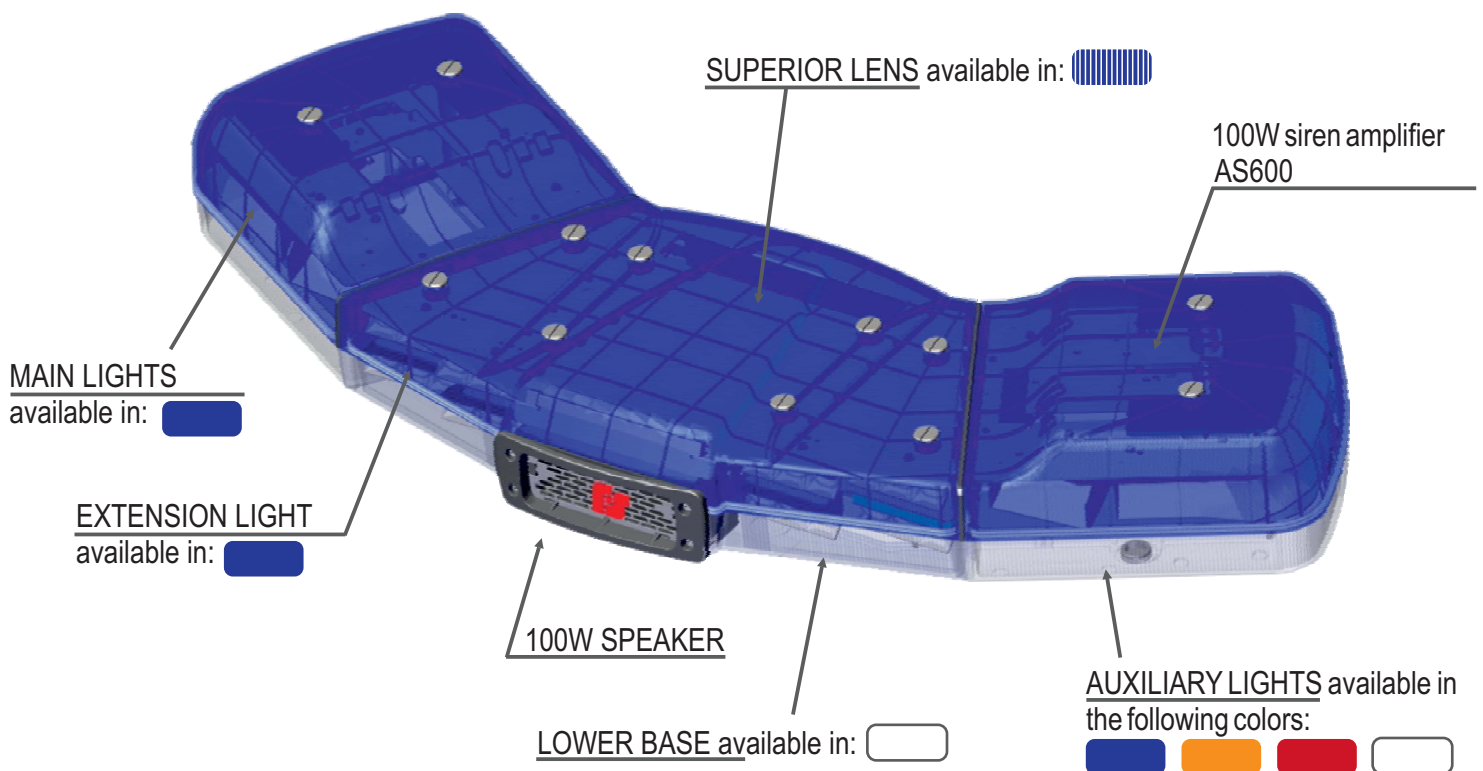


# BIFROST-V 2 levels lightbar

Federal Signal Vama presents the new **BIFROST-V 2 levels lightbar** with LED technology. Its V-shape design offers a greater efficiency in emergency situations and risk reduction in the intersections. It allows to integrate a 100W speaker and a 100W siren-amplifier AS600.

Its design is completely modular and flexible, both in its structure and different LED modules, allowing a quick replacement of each module. It has multiple lighting options: main lights and extension lights with cruise function, illuminated sign, SignalMaster and front, rear and / or lateral work lights.



**V-SHAPE:** More efficient in critical situations, specially in the intersections.



**SIREN + SPEAKER INTEGRATION:** Optimizes installation and maintenance costs.



**MODULAR STRUCTURE:** Its modular structure allows the replacement of each individual light module quickly and comfortably.



**2 LEVELS:** More light coverage thanks to its multiple levels of lights.



**360° LIGHT DISTRIBUTION:** The Solaris technology and the special spread of its lens allow to maximize the distribution of the light beam in the 360° that surround the vehicle, avoiding the appearance of any type of shadows.



**COMMUNICATION:** Available with CANBUS control.

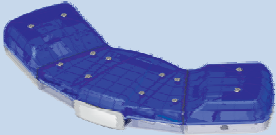
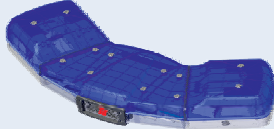


**DAY/NIGHT FUNCTION:** Main warning lights and extension lights.



**LAMP FAILURE:** Main warning lights.

## THE BIFROST-V 2 LEVELS LIGHTBAR IS CONFIGURABLE WITH THE FOLLOWING OPTIONS

"V" SHAPE		
WITHOUT SPEAKER		<b>AVAILABLE LENGTH:</b> Lightbar with speaker and without: 1100 mm
WITH SPEAKER		

## TECHNICAL SPECIFICATIONS

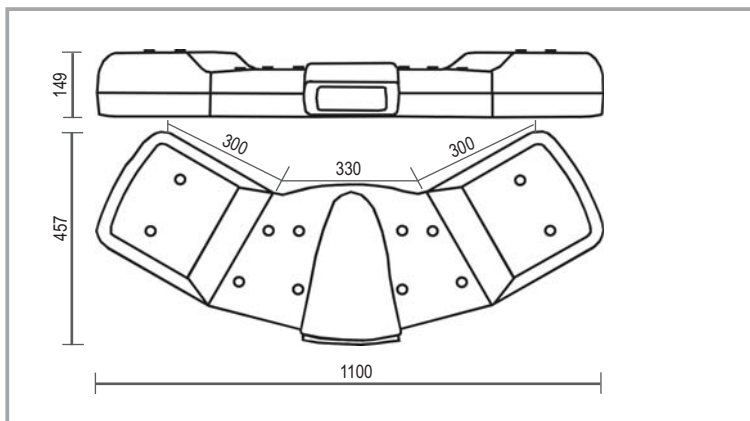
Input voltage:	10-30V							
Operating temperatura	-40+65°C							
	Current Draw with 13,5V voltage				Current Draw with 27V voltage			
	Fixed (A)	Flash		Cruise (A)	Fixed (A)	Flash		Cruise (A)
		Day (A)	Night (A)			Day (A)	Night (A)	
Linear priority lights: blue	-	2,40	1,08	0,29	-	1,20	0,54	0,14
Alley Lights: white	0,55	-	-	-	0,28	-	-	-
Auxiliary modules: amber	0,35	0,18	0,08	0,02*	0,18	0,09	0,04	0,01*
Auxiliary modules: blue, red and white	0,55	0,28	0,12	0,03*	0,28	0,14	0,06	0,02*
Auxiliary modules upper level (2nd level): blue	-	1,40	0,63	0,17	-	0,70	0,31	0,08

**R65**  
Class 1  
Class 2

**R10**  
EMC

## MODULAR STRUCTURE FOR QUICK AND CONFORTABLE REPLACEMENT OF THEIR LEDS MODULES:

Dimensions and structures examples.



## HOW TO ORDER:

Consult the options of the current Price List or Product Guide.

