



FEDERAL SIGNAL VAMA

Protecting people and our planet

L500 Series

Professional Rechargeable Flashlights



L500 Series

Federal Signal Vama presents its **L500 Series**, a range of rechargeable, high luminosity, sturdy flashlights for professional use.

Provided with Nickel Metal Hydride batteries, they offer durability without the negative memory effect of conventional battery performance.

The **L500 Series** offer LED fast charge. Charger sold separately.

The flashlights without charger are specially suitable for mounting on the vehicle diving shields (*prisoner transport kit*).

- **Fast charge** flashlights.*
- **12V** power source.
- **L500 Series** dispose a wide range of accessories.

**Charger sold separately*



VERSIONS

L500RFLED FULL LED (2102019)

Equipped with 3 high intensity and low consumption white LEDs, two light intensities, strobe flashing, adjustable focus and fast charging.



L500RFLED/BL FULL LED (2102018)

Equipped with two independent systems: 3 high-power white LEDs with two light intensities and a ring of 20 low-power white LEDs. The ring of LEDs is reflected in the translucent cones to regulate traffic.

Additionally, it has an adjustable focus and fast charging.



L510RFLED/A-R FULL LED (2102028)

Equipped with two independent systems: 1 high power white LED light and a ring of 20 low-power LEDs (10 amber and 10 red). The ring of LEDs is reflected in the translucent cones to regulate traffic.

Additionally, it has an adjustable focus and fast charging.





● **Flashing mode** flashlights offer high intensity and flashing mode settings.

● **Standard flashlights** have two intensity settings, high and low, to increase flashlight operational life.

● **LED flashlights** offer a ring of LEDs around the optics, made up of **20 high-intensity white LEDs**. Ideal for applications requiring cone signalling, the LEDs emit an intense coloured light which is reflected in the translucent cone, with a low power consumption and exceptional battery life.

ACCESSORIES

● **DL500, light-spreader cones**

Made in yellow or red plastic suitable for flashing mode and standard version flashlights. Translucent white cone suitable for Amber/red LED and White LED version flashlights.

● **DL500, multicoloured light-spreader cones**

Available in the following colour combinations: red/yellow, white/red/yellow and white/red/green, suitable for White LED, Flashing mode and Standard version flashlights.

● **SCO-500/400, light-spreader cone bracket**

Metal bracket for vehicle storage of the cones, available in black colour, suitable for all light-spreader cone models.

● **PD500, light-spreader paddle**

“STOP/Arrow sign” suitable for all flashlight versions and models.

● **SPD-500/400, light-spreader paddle bracket**

Metal bracket for vehicle storage of the paddle, in black colour.

● **CL510R, flashlight chargers**

CL510R, fast charge charger, 12V DC, for flashlights models with fast charge.

● **AL-500/400, power adapter**

12V / 220V adapter for CL510R fast flashlight charger.



L500 Series accessories range



CL510R, flashlight charger, Fast charge



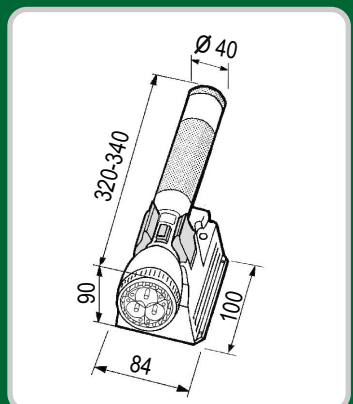
CM510, multiple charger for (5) L500 Series flashlights



Vehicle trunk mount



Vehicle dividing shield mount (Prisoner transport kit)



Flashlight and charger Dimensions (mm)

Technical Specifications	
Voltage:	12 V
Halogen lamp:	Bi-pin G4 6V 10W
Amber / red LEDs	10 GEN I amber leds, high-intensity, low consumption. 10 GEN I red leds, high-intensity, low consumption.
White LEDs:	20 GEN II white leds, high-intensity, low consumption.
Rechargeable battery:	6V 2,5 Ah Nickel metal hydride (fast charge)
Charge time:	2 hours and 30 minutes (fast charge)

BATTERY LIFE

					3 LEDs		
Amber/red LEDs	White LEDs	Flashing mode	High intensity	Low intensity	High intensity	Low intensity	Flashing mode
24 h	6h	2 h 40'	2 h	2 h 40'	2 h 30'	3 h 40'	2 h

HOW TO ORDER

1. Select a L500 Series flashlight reference from the list below:

LED flashlights	
2102019	L500RFLED/S, rechargeable LED flashlight w/ 3 LED diodes, (2) light levels, adjustable focus, fast charge time, w/out charger, 12V
2102018	L500RFLED/S, rechargeable LED flashlight w/ 3 LED diodes, (20) white luminosity LED, (2) light levels, adjustable focus, fast charge time, w/out charger, 12V
2102028	L510RFLED/A-R, rechargeable LED flashlight w/ 1 white LED, 10 amber luminosity LED and 10 red luminosity LED, (1) light levels, adjustable focus, fast charge time, w/out charger, 12V

2. Select the L500 Series flashlight accessory reference number from the list below:

Charger unit	
2101094REC	CL510, flashlight charger for L500, 12V
2101121REC	CL510R, fast charge flashlight charger for L500R Series flashlights, 12V
2102013	AL-500/400, adapter, 12VDC/220V AC, for CL510R flashlight charger
Light-spreader	
9151270	DI500, light-spreader cone for L500 series flashlight, (fluorescent yellow colour)
9151270-01	DL500, light-spreader cone for L500 series flashlight, (fluorescent red colour)
9151270-02	DL500, light-spreader cone for L500 series flashlight, white (Recommended the use with L500LED and L510FLED/A-R flashlight series for signaling traffic)
2101099	DL500/2C, light-spreader cone for L500 series flashlight, amber/red spreading-Lens.
2101100	DL500/3C, light-spreader cone for L500 series flashlight series, white/ amber/red spreading-Lens.
2101101	DL500/3C, light-spreader cone for L500 series flashlight, white/ green/red spreading-Lens.
Paddles	
1005066	PD500, luminous paddle for L500 series flashlight w/ 'Stop' and Arrows Signs.
Support for light-spreader and paddle	
8299018	SCO-500/400, metal bracket for flashlight cone, black
8136813	SPD-500/400, luminous paddle metal bracket, Series L500