

TECHNICAL SPECIFICATIONS

Voltage	10-30 Vdc	
LED nº	1	
LED colour	White	
Charge Time	6 minutes	
Technology	Capacitors	
Consumption	5A	
Functions	High Intensity, Low Intensity, Flashing Mode	
	HIGH INTENSITY / FLASHING MODE	LOW INTENSITY
Battery Life	45 minutes	180 minutes
Light Reach (at 1 meter)	11.500 cd	2.000 cd
Lumens	184 lm	32 lm
Total light reach (at 3 lux)	62 meters	
Flashlight dimensions	Ø70 x 320 mm	
Charger dimensions	84 x 90 x 100 mm	
Flashlight weight	0,589 Kg.	

HOW TO ORDER:

Select a reference number from the list below:

2101153 L550C/S, capacitor flashlight

ACCESSORIES:

Charger unit

2101154REC CL550, charge flashlight 10-30V, only for L550C/S

Light-spreader

9151270 DL500, light-spreader cone for L500 series flashlight, (fluorescent yellow colour)

9151270-01 DL500, light-spreader cone for L500 series flashlight, (fluorescent red colour)

9151270-02 DL500, light-spreader cone for L500 series flashlight, white

2101099 DL500/2C, light-spreader cone for L500 series flashlight, amber/red spreading-Lens

2101100 DL500/3C, light-spreader cone for L500 series flashlight series, white/ amber/red spreading-Lens

2101101 DL500/3C, light-spreader cone for L500 series flashlight, white/ green/red spreading-Lens

Paddles

1005066 PD500, luminous paddle for L500 series flashlight w/ 'Stop' and Arrows Signs

Support for light-spreader and paddle

8299018 SCO-500/400, metal bracket for flashlight cone, black

8136813 SPD-500/400, luminous paddle metal bracket, Series L500

Contact our Sales Department for further information.

www.fedsigvama.com

FEDERAL SIGNAL VAMA
Protecting people and our planet

L550C Series

Capacitors' Flashlights



FEDERAL SIGNAL VAMA
Protecting people and our planet

ISO 9001:2008 Certified Company
Dr. Ferrán, 7
08339 VILASSAR DE DALT
BARCELONA - SPAIN
Phone 34 93 741 79 00
Email: marketing@vama.es

L550C Series



Federal Signal Vama announces the new rechargeable capacitor flashlight **L550C**, designed to provide a fast and simple operation, making security and surveillance professionals' jobs easier. The **L550C** flashlight holds a light autonomy up to 180 minutes and its main advantage compared to other market products is its short charge time (less than 6 minutes).

It is rain resistant and has great versatility, as the flashlight allows to adapt light spreader cones and luminous paddles, both very useful in emergency situations.

MINIMUM CHARGE TIME. The flashlight has been designed to maximise its effectiveness and allows to be fully charged **in less than 6 minutes!!**

AUTONOMY. The low consumption LED guarantees a minimum autonomy of 45 minutes in high intensity or flashing mode and 180 minutes in low intensity.

LAST GENERATION CAPACITORS. Due to the ultra capacitors, the flashlight does not have memory effect. Furthermore, thanks to them the charging speed is very fast (only 6 minutes) avoiding to wait several hours until it is ready to use again.

BETTER GRIP AND ANTI-SLIP. Its cylindrical aluminium body provides a great resistance and better grip. The flashlight head is made of wrinkled rubber, which avoids that it rolls while leaving it in a plain surface.

3 WORKING MODES, ONE FOR EACH NEED. The flashlight provides 3 different functions, to adapt it according to each need: high intensity, low intensity and flashing mode (60 flashes per minute).



LED – CHARGING INDICATOR

- **Red LED** → Flashlight charging
- **Flashing green LED** → 70% charged
- **Fixed green LED** → 100% charged



A solution for each application

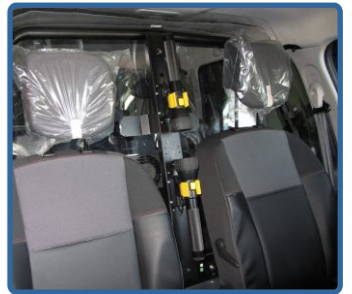


LONG OPERATIONAL LIFE. The L550C flashlight allows more than **100.000 charges.**

FALLS AND WATER RESISTANT. It is designed with great resistant materials avoiding that the flashlight gets damaged due to falls (1,5 meters) or impacts. It is also water resistant.

ADJUSTABLE FOCUS. The L550C flashlight allows to adjust the light beam according to the object or scene to be focused.

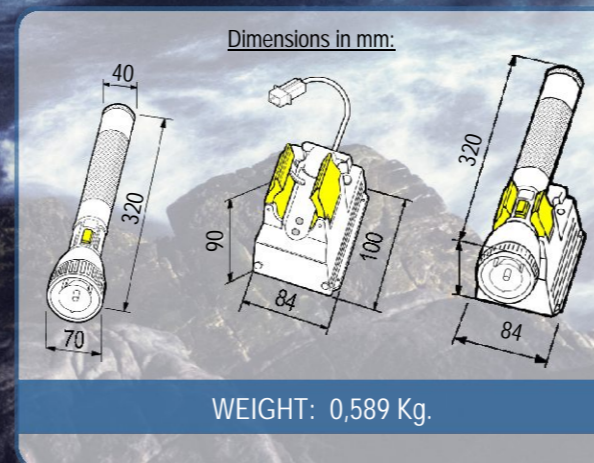
VERSATILITY. The flashlight allows to adapt accessories such as the light spreader cones DL500 and luminous paddles with Stop / Arrow signs PD500.



Installation example inside the vehicle.



LED
LOW
CONSUMPTION



AUTONOMY

HIGH INTENSITY → 45 min.
LOW INTENSITY → 180 min.

BATTERY	USABILITY TIME	CHARGING TIME	EFFICIENCY*
Niquel-MetalHidruro	150 min.	150 min.	1 : 1
Capacitors	45 min.	6 min.	7,5 : 1

* (Minutes of usage for every minute charged).